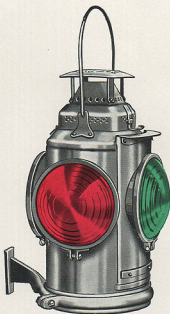


The Adams & Westlake Company

CHICAGO

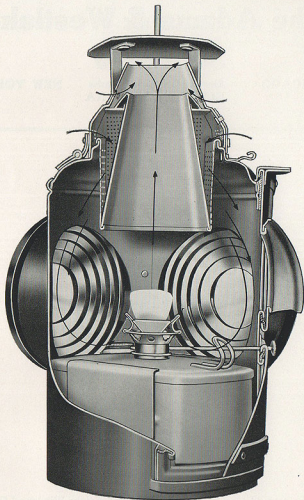
General Office and Works
ELKHART, INDIANA

NEW YORK



An AAR Marker Lamp No. 1470-B plus Adlake Windproof Door and Adlake Square Top Ventilation.

Adlake No. 1221 Marker Lamp with $5\frac{3}{8}$ " lenses is illustrated. When desired this lamp can be furnished with one $6\frac{3}{8}$ " red lens and three $5\frac{3}{8}$ " green or yellow lenses.



Cut-away view of Adlake AAR lamp illustrating the superior features described on page 3.

Adlake AAR Lamps provide interchangeability of major replacement parts in accordance with AAR Drawings 1460-B and 1470-B. To maintain Adlake reliability and long service the following features are added.

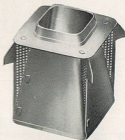
Adlake Square Top Non-Sweating Balanced Draft Ventilation has proved superior to all other types of signal lamp ventilation in over twenty years of satisfactory service. See Bulletin B-31 for further details.

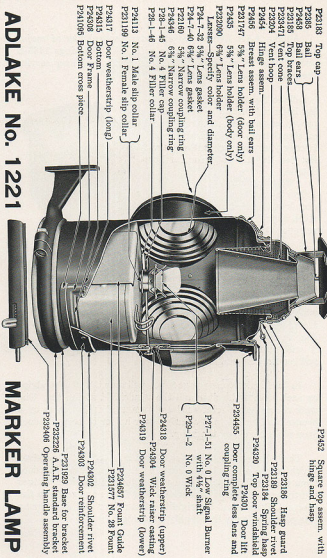
The Square Vent Cone and Hoop are drawn and formed of heavy steel. Note how easily they can be removed for cleaning.

Our Wind-Proof Door increases the efficiency of our Square Top Ventilation. The door does not operate directly on the body but on a heavy pressed steel door frame which is clinched to the body. This feature in Adlake lamps makes the door structurally stronger so that it will remain wind-proof longer and require less maintenance.

In the illustration on page 2, you will note the weatherstrips on each side of the door and the windshield at the top. The wick raiser slot is reinforced and protected from drafts by a bronze casting. There is a spring door holder to keep the door open while servicing the lamp.

The bottom of the door is not fitted into a pocket or receiver which would only fill with dirt or ice and prevent the door from closing tightly. Instead the bottom of the door wedges tightly against the bottom of the door frame and rests on the door sill. Because of the rigidity of our door and door frame this construction is thoroughly windproof.





P23183 Top cap

P2458 Ball

P2458 Ball ears

P23185 Top braces

P233471 Vent cone

P23204 Vent hoop

P2454 Hinge assem.

P2456 Breast assem. with ball ears

P231747 5% Lens holder (door only)

P2435 5% Lens holder (body only)

P232000 6% Lens holder

Lenses—Specify color and diameter

P24-7-32 5 1/2% Lens gasket

P24-7-40 6 1/8% Lens gasket

P22160 5% Narrow coupling ring

P24346 6% Narrow coupling ring

P28-1-45 No. 4 Filler cap

P28-1-46 No. 4 Filler collar

P24113 No. 1 Male slip collar

P231199 No. 1 Female slip collar

P24317 Door weatherstrip (long)

P24315 Bottom

P24308 Door Frame

P241095 Bottom cross piece

P2452 Square top assem. with hinge and hasp

P23186 Hasp guard

P23189 Shoulder rivet

P23184 Spring hasp

P24320 Top door windshield

P24301 Door lift

P234455 Door complete less lens and coupling ring

P27-1-51 No. 0 Low Signal Burner with 4 1/2" shaft

P29-1-2 No. 0 Wick

P24318 Door weatherstrip (upper)

P24304 Wick raiser casting

P24319 Door weatherstrip (lower)

P234657 Fount Guide

P231577 No. 28 Fount

P24302 Shoulder rivet

P24303 Door reinforcement

P231829 Base for bracket

P232226 A.A.R. standard bracket

P232406 Operating handle assembly

ADLAK No. 1221

MARKER LAMP